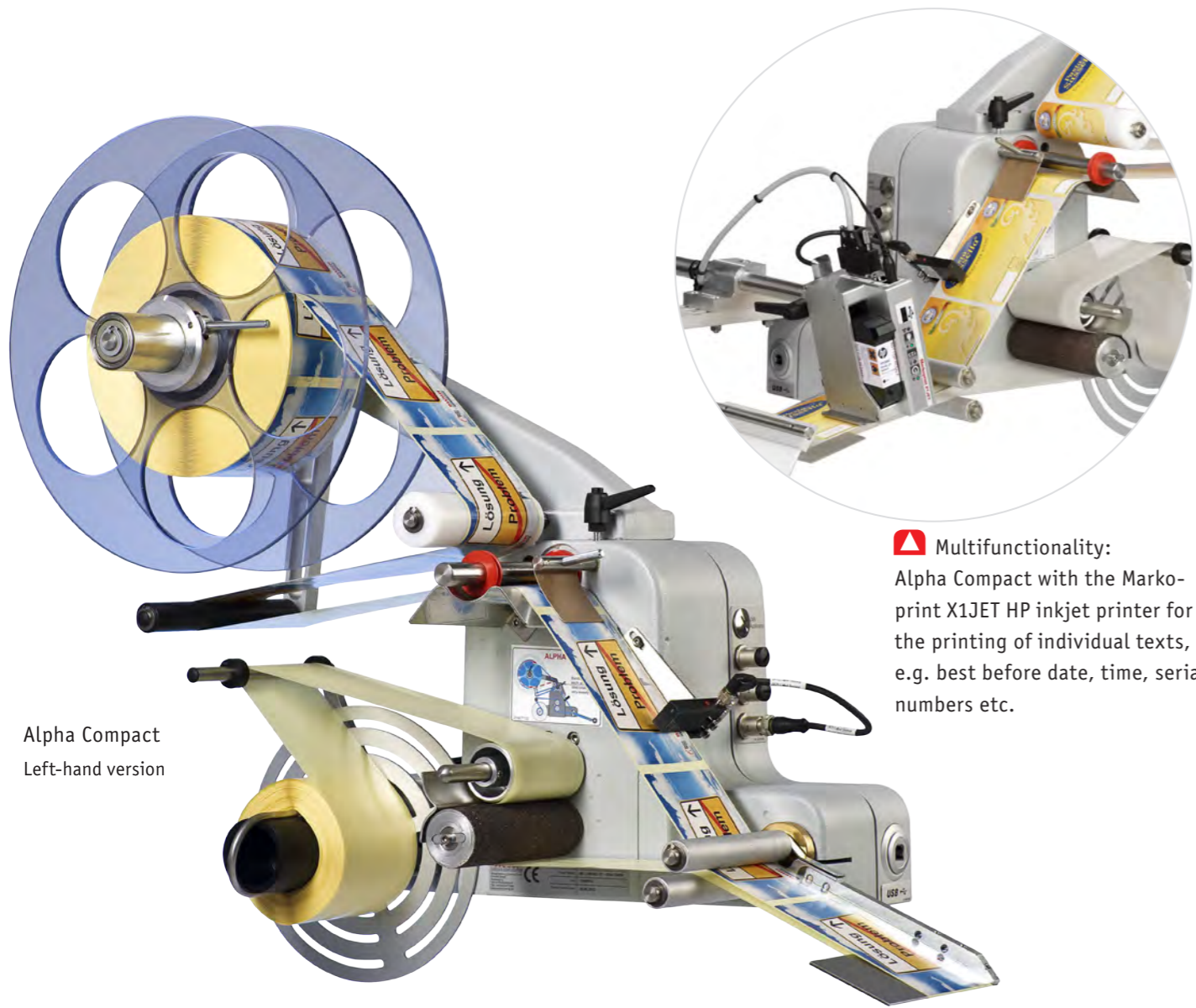


**Alpha Label Dispenser**

**Apply Printed Labels**





Alpha Compact  
Left-hand version

**▲ Multifunctionality:**  
Alpha Compact with the Marko-print X1JET HP inkjet printer for the printing of individual texts, e.g. best before date, time, serial numbers etc.

## Alpha Compact Label Dispenser

The Alpha Compact system allows pre-printed labels to be quickly and accurately placed on products and packaging in conjunction with different applicators. With its integrated control system the Alpha Compact has a significantly reduced footprint for ease of integration.

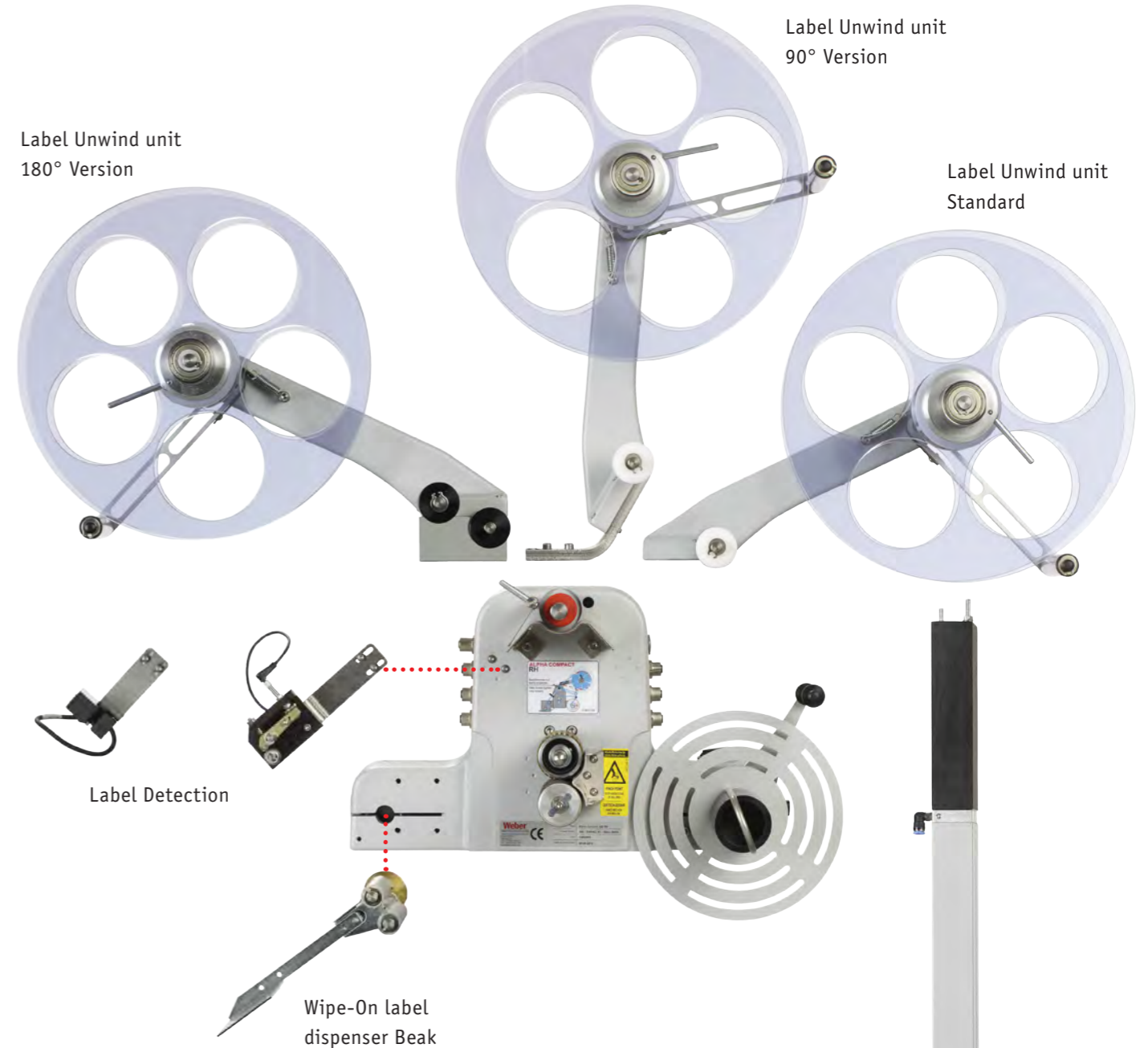
Different label parameters and functions such as start and stop, single label feed, speed regulator and sensor calibration can be manipulated via the USB port on a normal computer. Data can be stored securely and the dispenser parameters easily exported to other Alpha Compact systems.

### Special Features of the Alpha Compact

- Modular system concept
- The controller is integrated into the body of the machine
- Modular user interface (operating panel, display screen, external device PC)
- USB port allows for uploading- and downloading from the dispenser's setup
- Incremental encoder from 0 to 50 metres per minute with continuous speed adjustment

Label positioning and adjustment can be fully automated with the help of the system controller. I/O Interface to the existing controller is also available.

The information for each label change can be stored in the controller which allows you to access the parameters and print jobs that you have saved; these can also be modified and used for different print jobs. A second miniature controller makes 1:1 labelling possible and mirrors the well-known Alpha Series' input unit with two rotary and four push switches.



Label Unwind unit  
180° Version

Label Unwind unit  
90° Version

Label Unwind unit  
Standard

Label Detection

Wipe-On label  
dispenser Beak

## Variety with a modular set-up



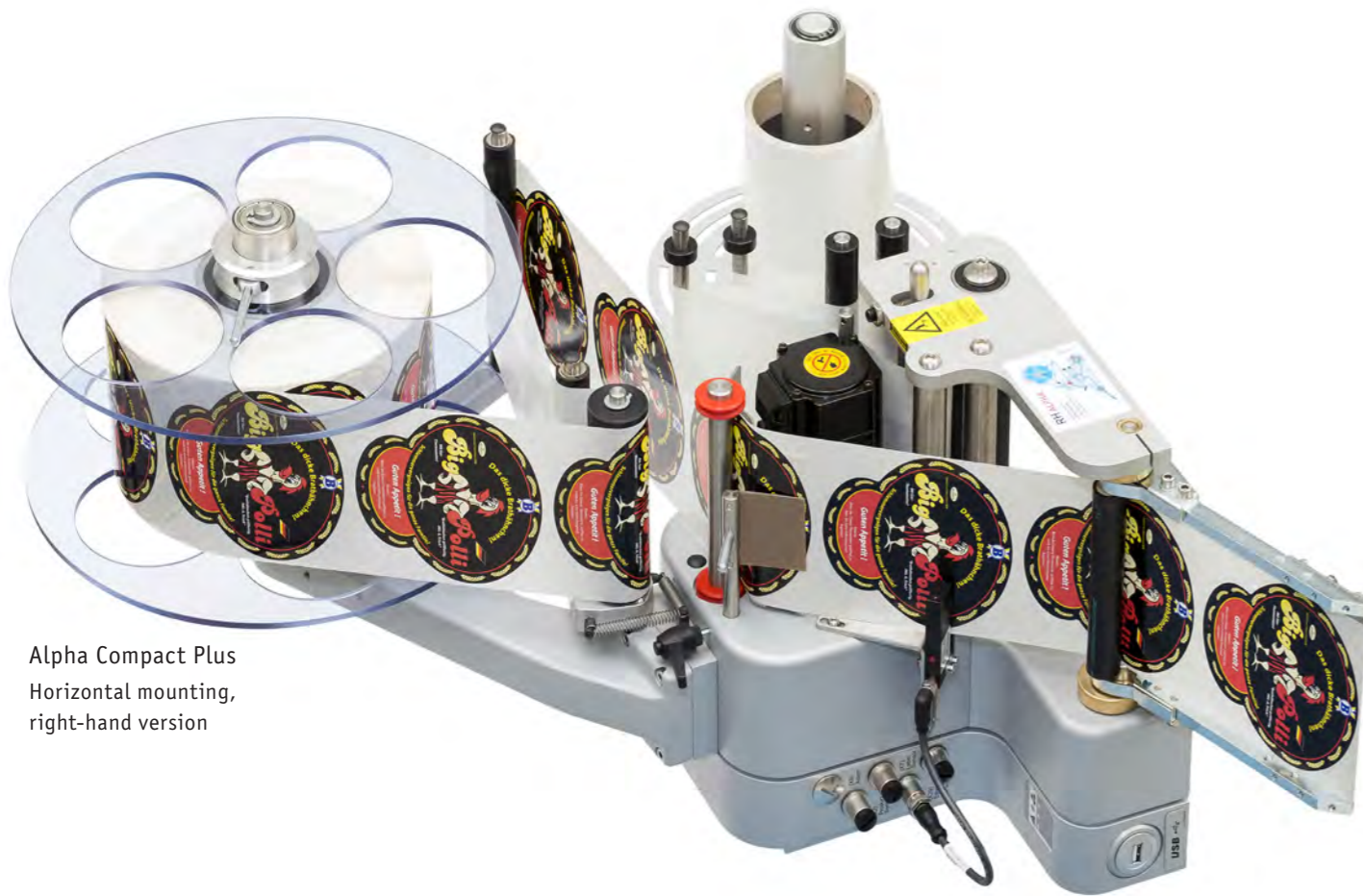
Label tamper  
HS 100



Label tamper  
TBM 50



Label tamper  
KH 400



Alpha Compact Plus  
Horizontal mounting,  
right-hand version

## Alpha Compact Plus Label Dispenser

We proudly present the new Alpha Compact Plus label dispenser with its new design, better performance, higher cycles rates and increased user friendliness. An especially high performance servomotor offers increased accuracy in the label printing process. With the Alpha Compact Plus entering and storing different label parameters and functions is possible even using a normal computer with an Ethernet port.

The menu is especially easy to use. For example the user is assisted in using the machine simply with the aid of a GUI (Graphical User Interface),

### Special Features of the Alpha Compact Plus

- Continuous incremental coding of up to 100 metres per minute
- Possible peak output of 1,100 labels per minute
- High level of accuracy in the placing of the printed labels +/- 0.3 mm
- Powered by high performance servomotor
- Integrated zero-down-time function when using a redundant system
- Configurable system for easy integration with existing production lines
- Shorter set-up time when changing label formats
- Ethernet port (M12 Industrial connector) allows for up-/downloading from the dispenser's setup
- Automatic recognition of defective labels (Skip Function)
- Precise path-dependent positioning of the labels
- Control system protected and housed in the body of the machine

## Practical Examples



Field: Confectionary  
Application: Labelling chocolate bars



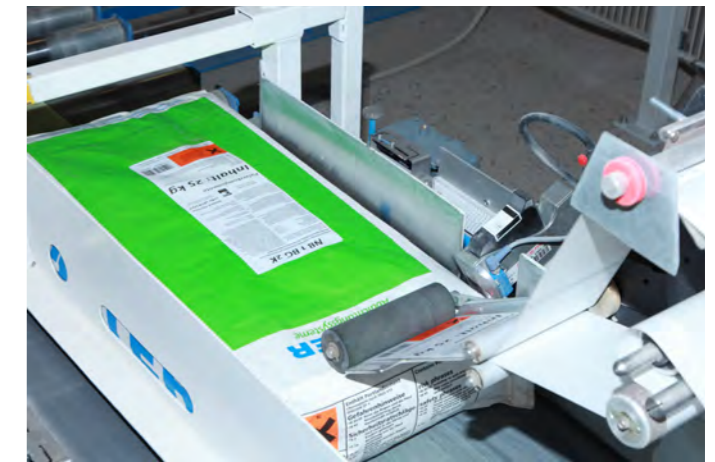
Field: Dairy  
Application: Labelling yoghurt tubs



Field: Toiletries  
Application: Labelling toilet paper packing



Field: Foodstuffs  
Application: Labelling pre-packaged pizzas



Field: Chemicals  
Application: Fixing warning labels



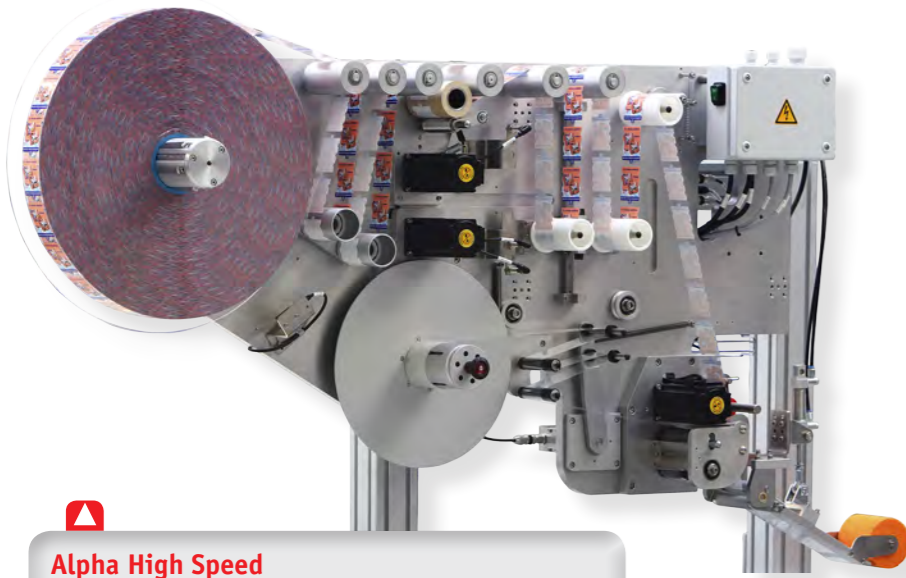
Field: Printing and paper  
Application: Labelling printed products



Field: Wood/ Furniture Industry  
Application: Lining furniture parts with cork

## Customer Tailored Solutions

Thanks to their modular system design, the Alpha label dispensing systems are highly versatile and can be used in countless applications. Our development team work on customer tailored solutions which are put to use in many different fields in various areas, take advantage of our know-how!



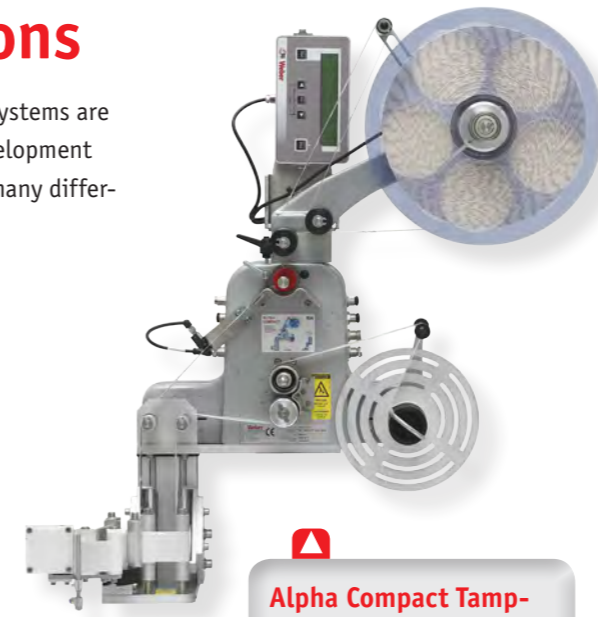
### Alpha High Speed

The Alpha Label Dispenser has 3 servo motors and can reach an extremely high peak performance level, up to 1,400 labels per minute. Label rolls with a diameter of 500 mm also help to reduce set-up time.



### Alpha Print Plus

Peak label output of up to 500 per minute. The built-in printing module makes it possible to print onto blank and printed labels. The positioning accuracy of the labelling is +/- 0.3 mm.



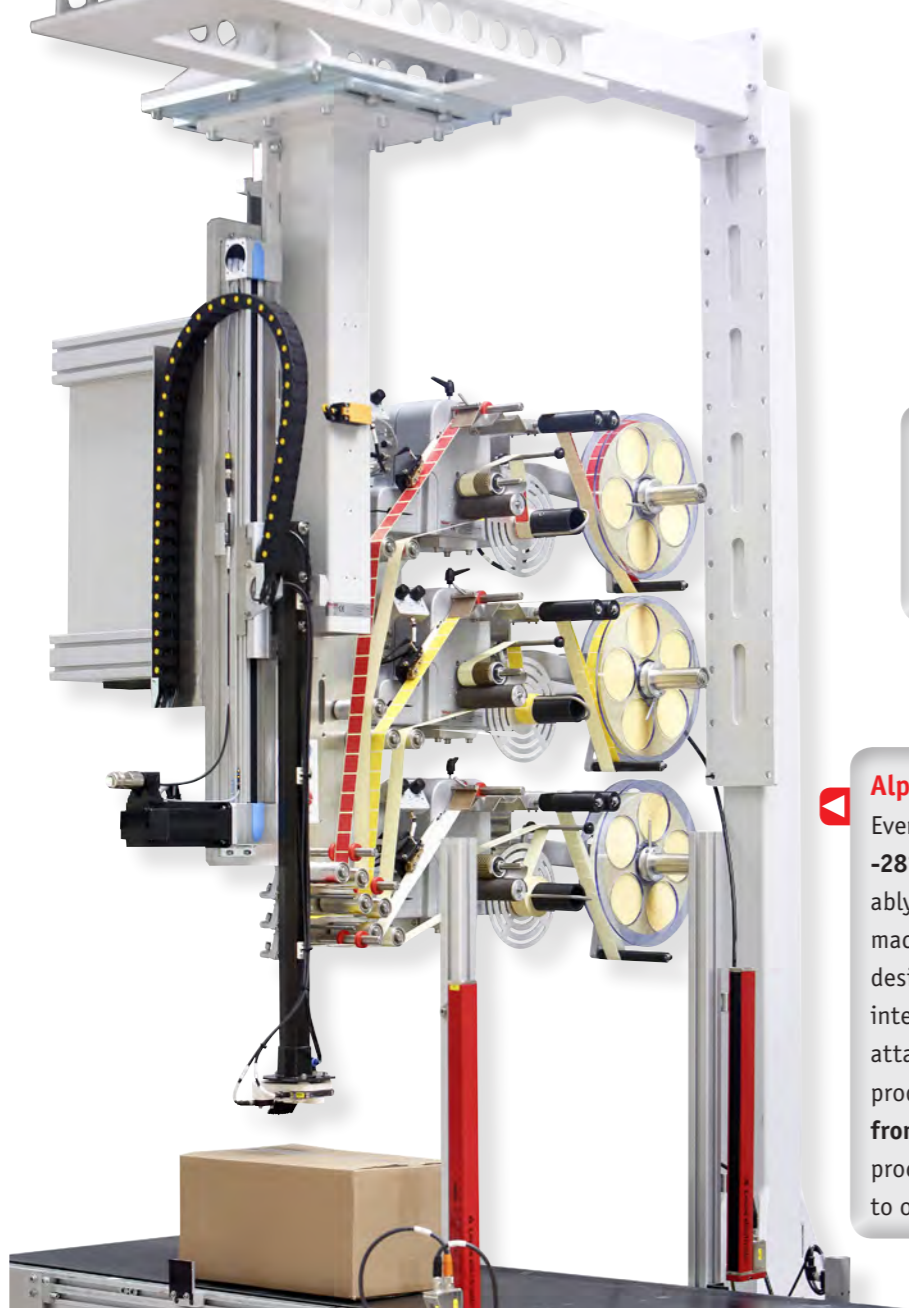
### Alpha Compact Tamp-Blow Mini

The spatial constraints within the packaging machine require a 90 degree change of direction to get to the tamp. This design allows you to effortlessly change the label rolls.



### Alpha Compact Tamp-On

A foam top on the tamp allows for the label to be perfectly shaped when placed on the product. This also allows for an extremely high level of accuracy when placing the label even on products that have a complex shape.

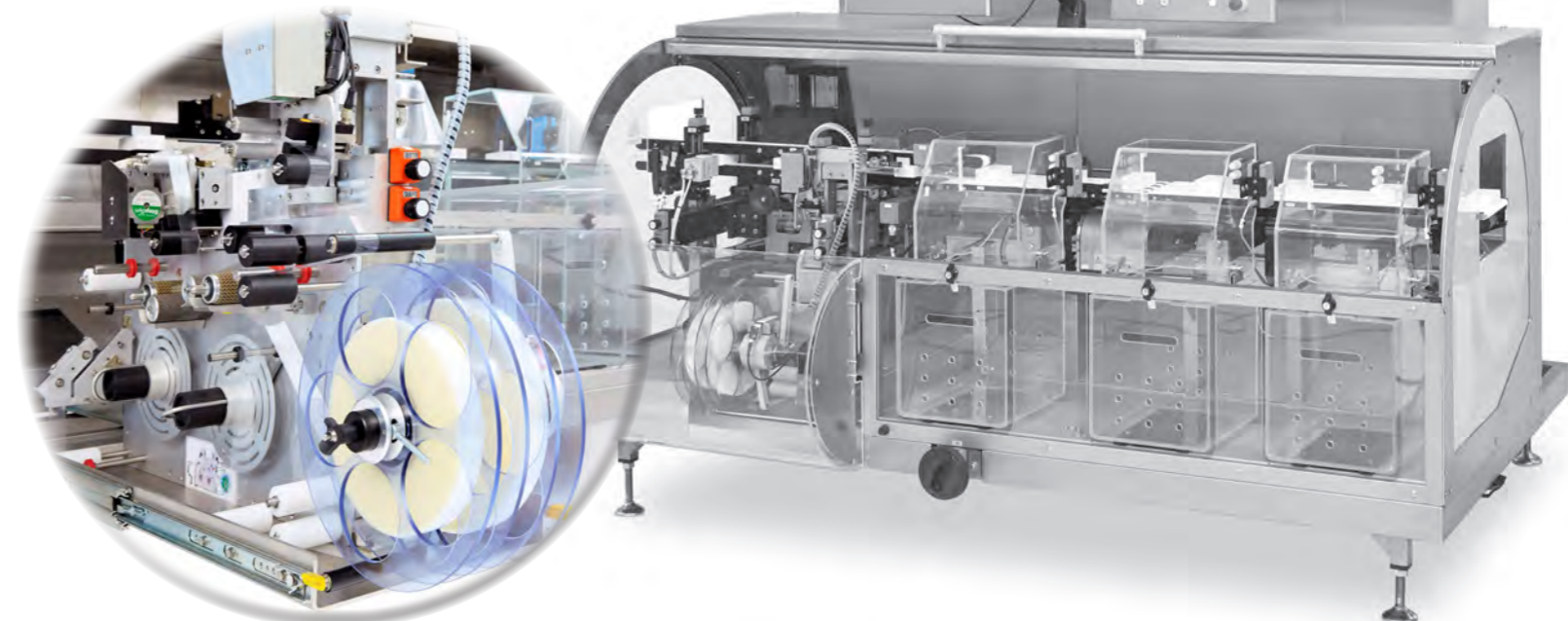


### Alpha Compact TK

Even in ambient temperatures of -28°C the Alpha machine still reliably carries out its tasks. All of the machine's components are specifically designed according to the field it is intended for. If you like you can also attach labels of varying colours to the product. The extra-long tamp made from carbon ensures the production process runs smoothly. It can label up to one box per second.

### Tamper Evident Labeler

An integrated compact dispenser for applying seals on a pharmaceutical production line. The label dispenser guarantees database assisted traceability by producing a security mark and an anti-removal seal on each pack as per the legislation set down in the EU directive 2011/62/EU.



**Weber Packaging Solutions UK & Ireland**

**Weber Packaging Solutions UK**

Macmerry Industrial Estate  
Tranent, East Lothian, EH33 1HD  
Phone: +44 1875 611111 · Fax: +44 1875 613310  
sales@weber.co.uk · www.weber.co.uk

**Weber Packaging Solutions Ireland**

Kilcannon Industrial Estate  
Old Dublin Road, Enniscorthy, Wexford  
Phone: +353 53 9233778 · Fax: +353 53 9233284  
sales@weberireland.com · www.webermarking.ie

**Weber**  
PACKAGING SOLUTIONS